



LIVING HOME™

Item # 714661

6-Shelf Chrome Rack

Assembly Instructions Questions, Problems, Missing Parts?

Before returning to your retailer, CALL OUR CUSTOMER SERVICE DEPARTMENT at 1-866-375-7994, 9 a.m. – 5 p.m. EST, MONDAY-FRIDAY.
E-mail: sales@shelfadditions.com

Tools Required For Assembly

No tools required for assembly.
Helpful—Rubber Mallet.

Parts List (B)

- | | |
|----------------------------------|--|
| A (6) Shelves | D (4) 3" wheels (2-Locking) |
| B (25) Plastic Tapered Lock sets | E (4) Top Poles with threads and Pole Caps |
| C (4) Bottom Poles With Levelers | F (1) bag containing (4) plastic pole caps and (4) screw in bottom inserts |

Note: Black plastic discs are for packaging only – Discard

SPECIAL WARNINGS



Assemble the item on a soft, non-abrasive surface, such as carpeting, to avoid scratching the finish. Use care when handling. May require two adults for safe assembly.

CARE AND MAINTENANCE

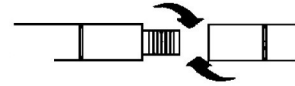
Periodically check and ensure that all components are in their proper position, are free from damage and that all connectors are tight.

ASSEMBLY INSTRUCTIONS

This unit may be assembled as a single 6-shelf unit or two 3-shelf units.

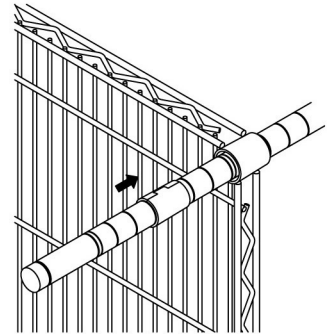
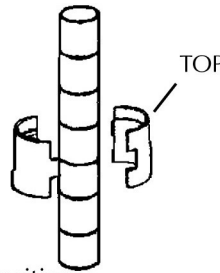
1. Post Assembly

Screw the two post sections together. Hand tighten. Note: the top section has threads and a plastic cap. The bottom section has a leveler.



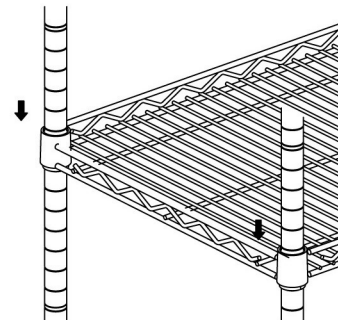
2. Bottom Shelf Assembly

- Locate the desired position of the bottom shelf. Note: Bottom shelf should be no more than six inches from the floor.
- Insert four plastic tapered locks in the appropriate Pole groove, one in each pole. Ensure tapered end is up (see arrow on lock).
- Placing shelf on its side and slide each pole with tapered locks through the bottom of the shelf until snug.
- After all poles are in place, position the unit in the upright position.
- Push down on each corner of the shelf, ensuring that the shelf is in the fully locked position.



3. Additional Shelf Assembly

- Locate the desired position of the next lowest shelf and insert the tapered locks in the poles.
- Slide the shelf down from the top of the poles and onto the tapered locks. Push down on each shelf corner, ensuring that the shelf is in the fully locked position.
- Repeat for the remaining shelves.

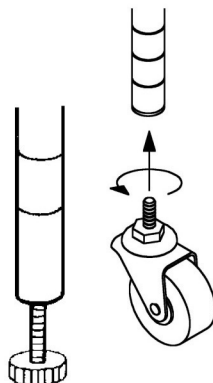


4. Leveler Adjustment

- Move assembled unit to the selected room location.
- If required, adjust levelers to ensure that the unit is level. Rotating the levelers clockwise raises the poles.

5. 3" Wheels

- If wheels are required, un-screw feet levelers from bottom poles, screw in two locking wheels on one side of the unit and two regular wheels on the other side of the unit.



6. Optional Configuration - 3 shelf rack / 3 shelf rolling cart

Follow the same instruction from 1 to 6 but note the following:

1. Included in the unit is a bag of 4-- extra black plastic top pole caps & 4-- extra screw in bottom pole inserts (F). Screw the black plastic top pole caps into the top of the bottom poles (C).
2. Unscrew the pole connectors on the top poles (E). Screw the bottom pole inserts (F) into the same place you took out the pole connectors. These inserts will be used to fasten either feet levelers or 3" wheels to the second unit.

1-YEAR LIMITED WARRANTY

The manufacturer warrants this product to be free from defects in workmanship and material present at time of shipment from the factory for one year from the date of purchase. This warranty applies only to the original purchaser. The manufacturer agrees to correct such defect at no charge or at our option replace the product with a comparable or superior model.

To obtain warranty service, call our customer service department at 1-866-375-7994 for return authorization and shipping instructions. You may be required to present a copy of your sales receipt as proof of purchase. All cost of removal and reinstallation are the expressed responsibility of the purchaser. Any damage to the product by accident, misuse or improper installation, or by affixing accessories not produced by the manufacturer, are the purchaser's responsibility.

There is no further expressed warranty. The manufacturer disclaims any and all implied warranties. The manufacturer shall not be liable for incidental, consequential or special damages arising at or in connection with product use or performance except as may otherwise be accorded by law. This warranty gives you specific legal rights and you also have other rights that vary from state to state. This warranty supersedes all prior warranties.