



Item # 4T25143654B / 4T25143654Z

4-Tier Shelf Rack

Questions, Problems, Missing Parts?

Before returning to your retailer, CALL OUR CUSTOMER SERVICE DEPARTMENT at 1-866-375-7994, 9 a.m. - 5 p.m. EST. MONDAY- FRIDAY. E-Mail: customerservicegsm@sbcglobal.net

Tools Required For Assembly

No tools required for assembly.
Helpful - Rubber Mallet

Parts List (B)

A (4) Shelf
B (18) Plastic Tapered Lock Sets

C (4) Bottom Poles With Levelers
D (4) Top Poles with Pole Connector & Caps

Note: Black plastic discs used for packing only - Discard

SPECIAL WARNINGS



Assemble the item on a soft, non-abrasive surface, such as carpeting, to avoid scratching the finish. Use care when handling. May require two adults for safe assembly.

CARE AND MAINTENANCE

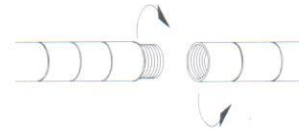
Periodically check and make sure that all components are in their proper position, are free from damage and that all connectors are tight.

ASSEMBLY INSTRUCTIONS

Estimated Assembly Time: Approximately 20 minutes

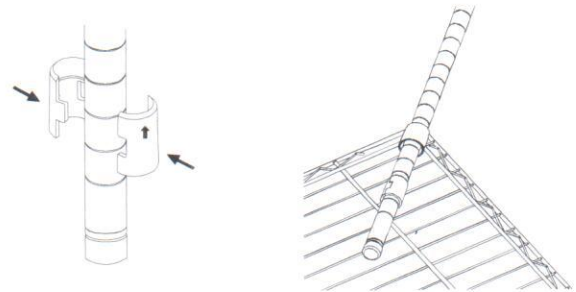
1. Post Assembly

Screw the two post sections together. Hands tighten. Note: the top section has pole connector & cap. The bottom section has leveler.



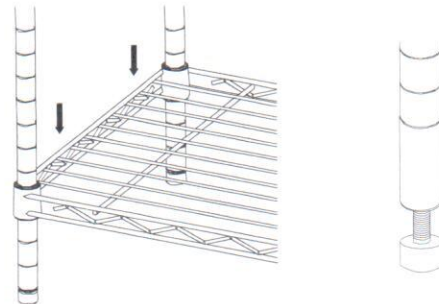
2. Bottom Shelf Assembly

- Locate the desired position of the bottom shelf.
Note: Bottom shelf should be no more than six inches from the floor.
- Insert four plastic tapered lock sets in the appropriate pole groove, one in each pole. Ensure tapered end is up (see arrow on lock).
- Place shelf on its side and slide each pole with tapered locks through the bottom of the shelf until snug.
- After all poles are in place, position the unit in the upright position.
- Push down on each corner of the shelf, ensuring the shelf is in a fully locked position.



3. Additional Shelf Assembly

- Locate the desired position of the next lowest shelf and insert the tapered locks into the poles.
- Slide the shelf down from the top of the poles and onto the tapered locks. Push down on each shelf corner, ensuring the shelf is in a fully locked position.
- Repeat for the remaining shelves.



4. Leveler Adjustment

- Move assembled unit to the selected room location.
- If required, adjust levelers to ensure the unit is level.
Rotating the levelers counter clockwise raises the poles.

1-YEAR LIMITED WARRANTY

The manufacturer warrants this product to be free from defects in workmanship and material present at time of shipment from the factory for one year from the date of purchase. This warranty applies only to the original purchaser. The manufacturer agrees to correct such defect at no charge or at our option replace the product with a comparable or superior model.

To obtain warranty service, call our customer service department at 1-866-375-7994 for return authorization and shipping instructions. You may be required to present a copy of your sales receipt as proof of purchase. All cost of removal and reinstallation are the expressed responsibility of the purchaser. Any damage to the product by accident, misuse or improper installation, or by affixing accessories not produced by the manufacturer, are the purchaser's responsibility.

There is no further expressed warranty. The manufacturer disclaims any and all implied warranties. The manufacturer shall not be liable for incidental, consequential or special damages arising at or in connection with product use or performance except as may otherwise be accorded by law. This warranty gives you specific legal rights and you also have other rights that vary from state to state. This warranty supersedes all prior warranties.